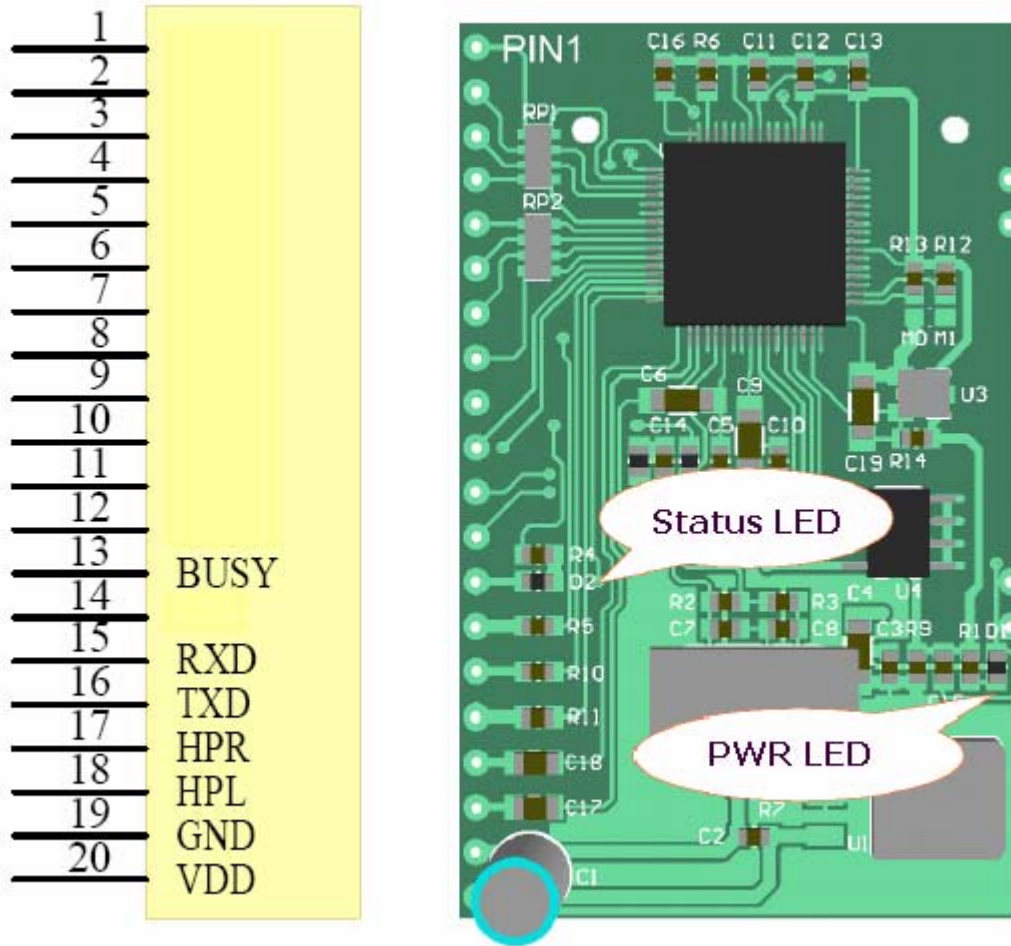


RS232 SD Card MP3 Player Module

MDFLY

Pins assignment:



Pin	Function
13	Busy (Output LOW when busy)
15	RX (TTL)
16	TX (TTL)
17	Audio out R
18	Audio out L
19	GND
20	DC 12V

Control command set:

Command (hex)	Function
000	Random play
001-199	Play specified MP3 file (000-199)
E8	Volume +
E9	Volume -
EA	Play/Pause
EB	Hold
EC	Resume
EF	Stop

Specification:

Format:	MP3 only
File naming:	001.mp3, 002.mp3...199.mp3 (Total 199 songs)
Interface:	Rx, Tx @TTL level
Baud Rate:	4800,N,8,1
SD card:	32M or up
Power input:	DC 12V